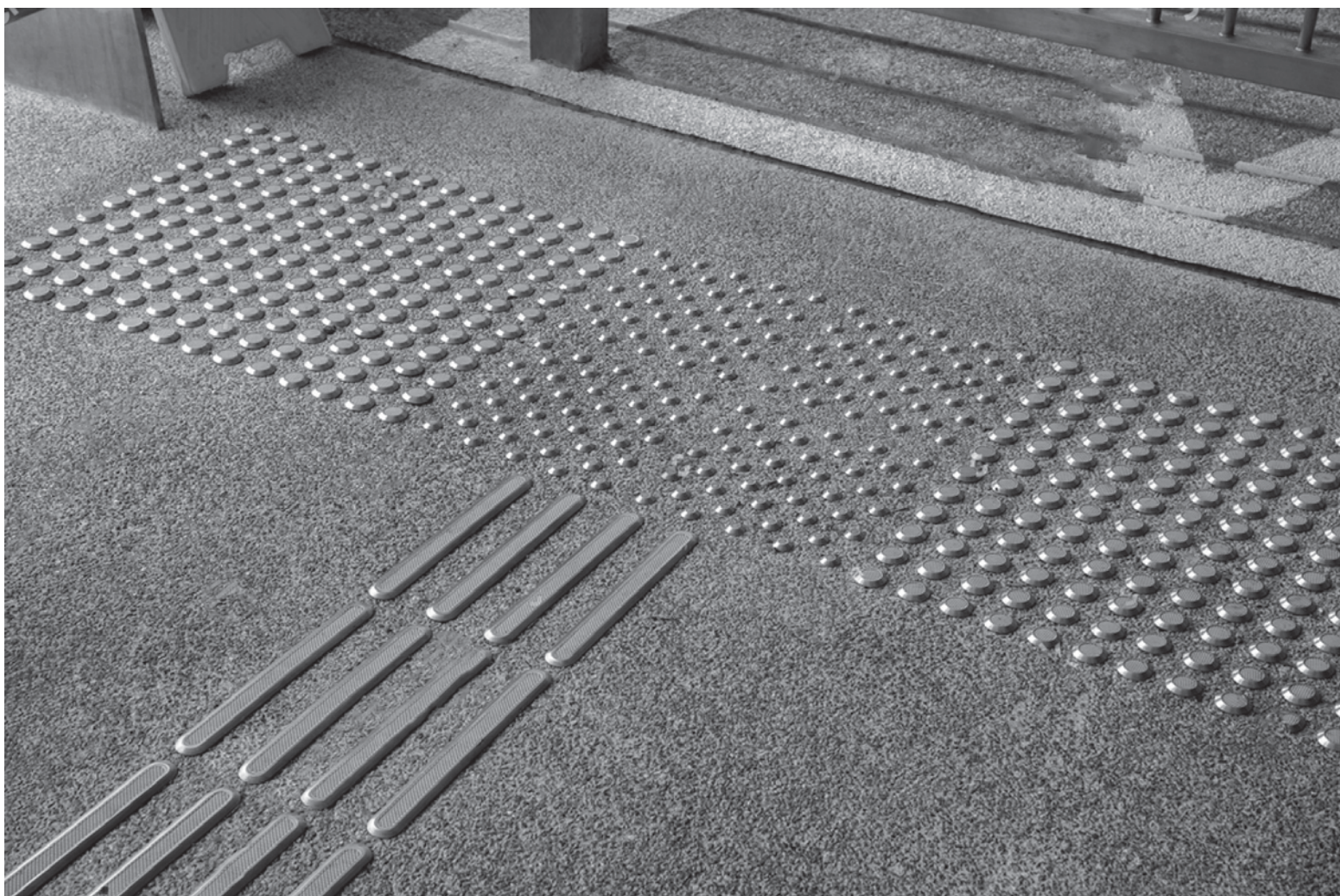


TACTILE 
PRODUCT CATALOGUE



PRODUCT DESCRIPTION

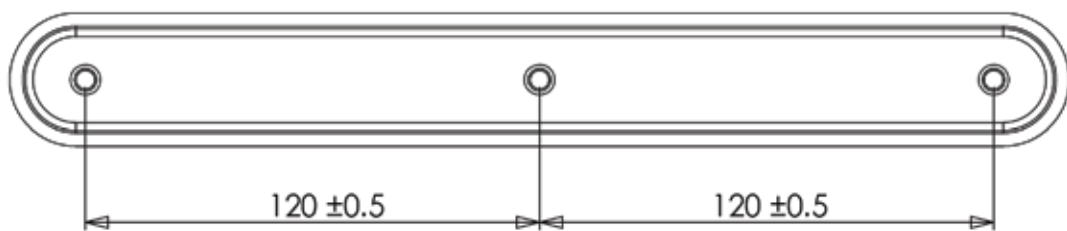
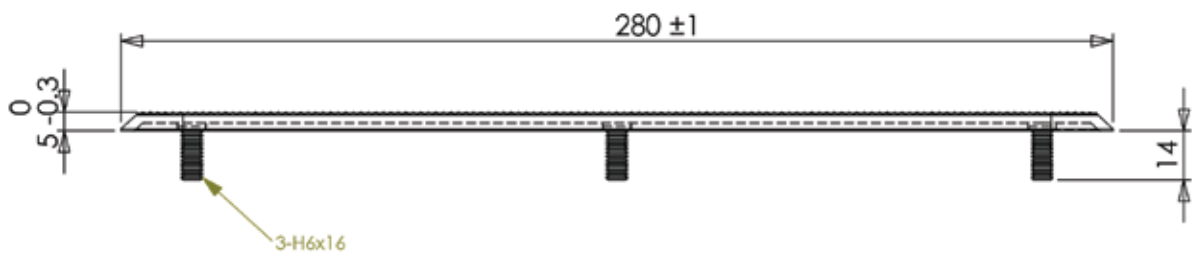
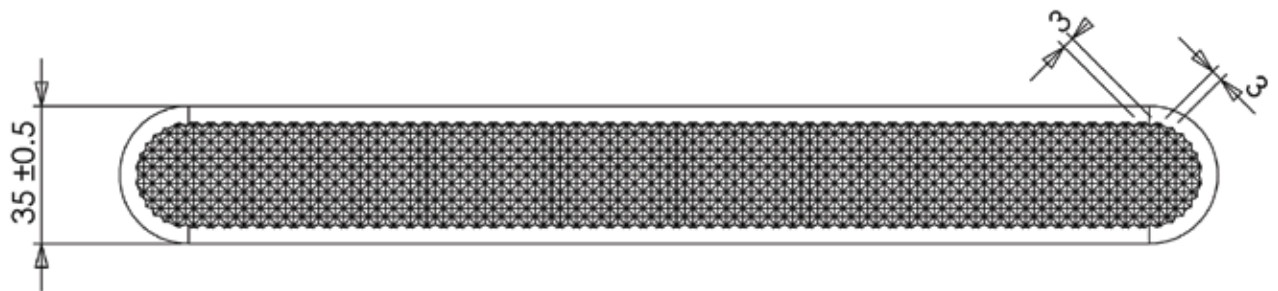
The versatility of tactile is unparalleled in its uses, from kitchens, entrance halls, metros, shopping malls, hotels, public buildings and industrial installations both internal and external.

TACTILE PRODUCT LINE

The tactile offers limitless scope to create a floor of great individuality, due to its great aesthetic appeal and anti-slip capabilities, they are extensively used for creating decorative borders and can be easily used in domestic as well as commercial applications.

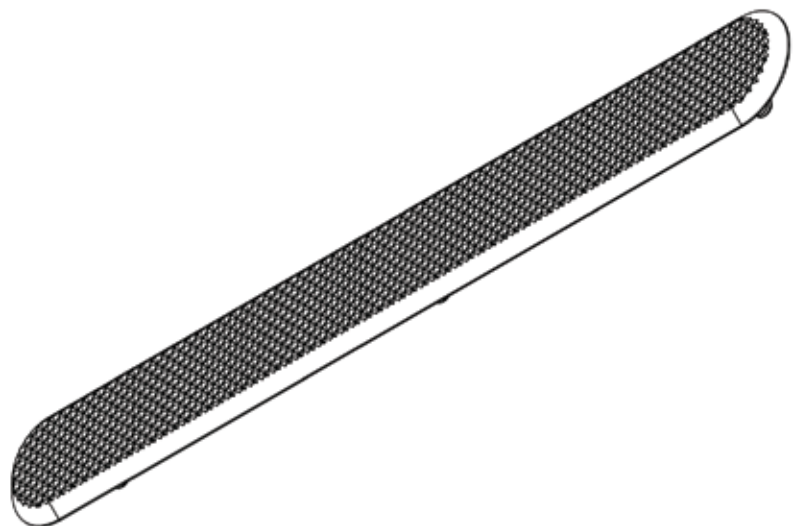
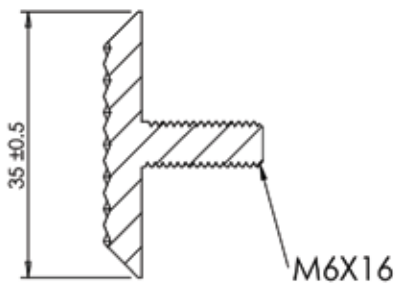
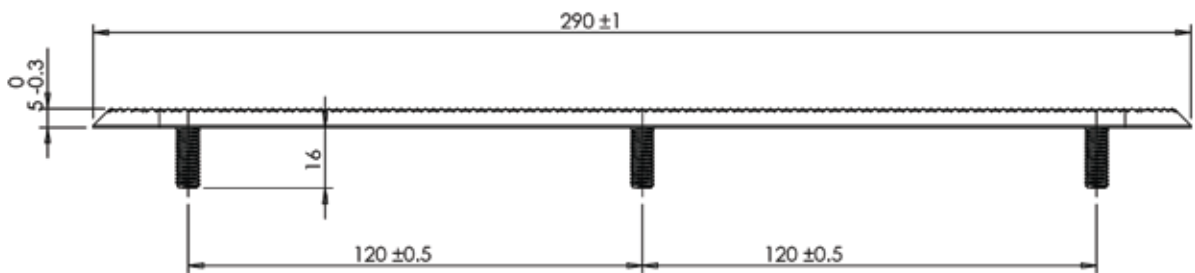
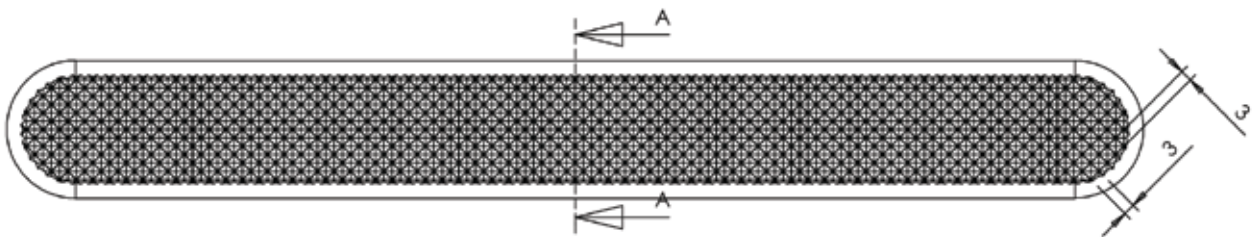
They are extremely durable, easy to install, as well as being virtually maintenance-free and satisfy all of the technical and aesthetic demands imposed by each individual application

HTT-XC-MDT5067D-3 (HOLLOW)



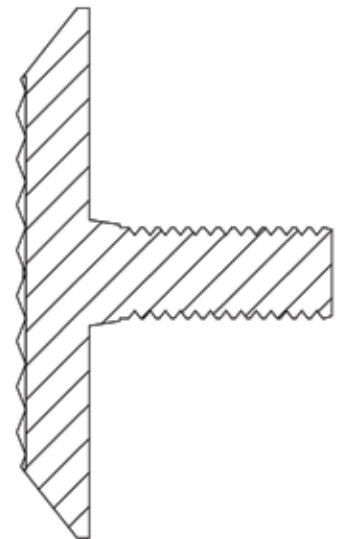
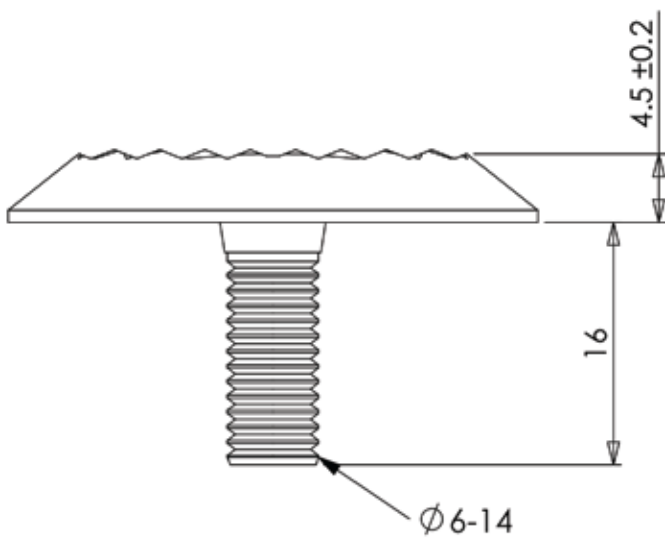
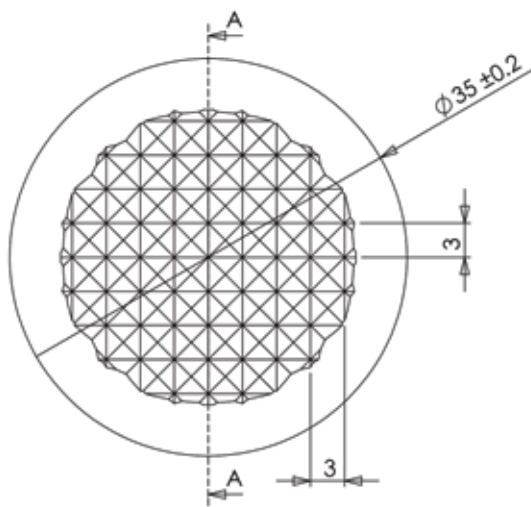
*Note: Solid Available

HTT-XC-MDT5007- 2 (SOLID)



*Note: Hollow Available

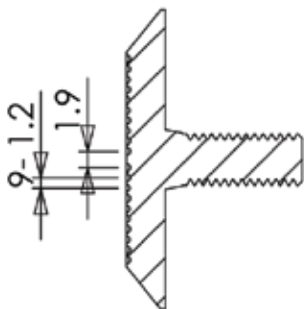
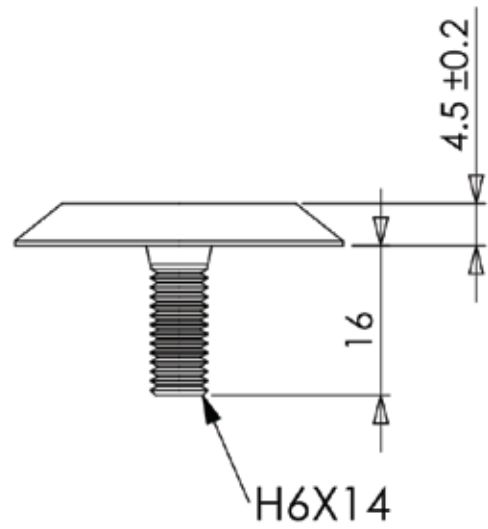
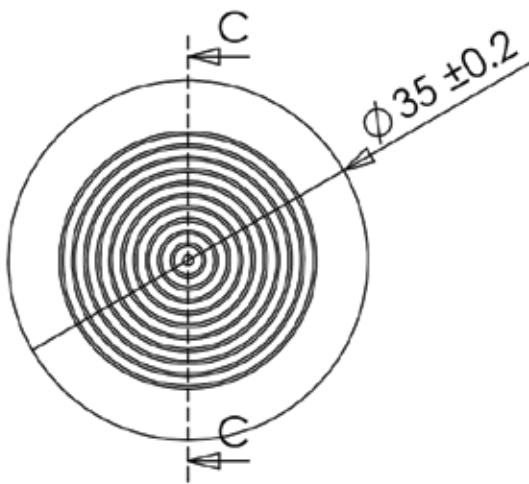
HTT-XC-MDD1519D (SOLID)



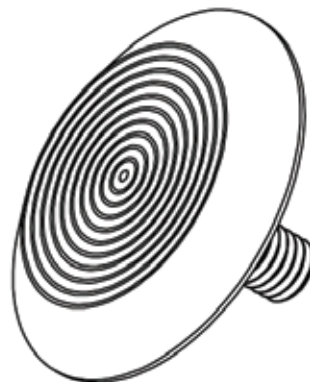
A-A

*Note:Hollow Available

HTT-XC-MDT1616C (SOLID)

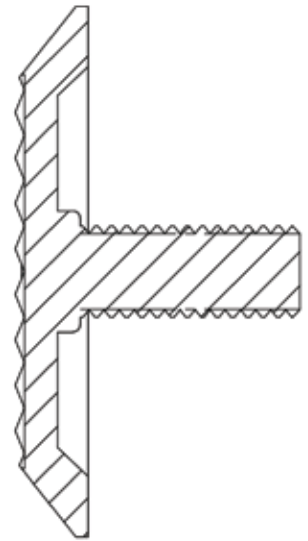
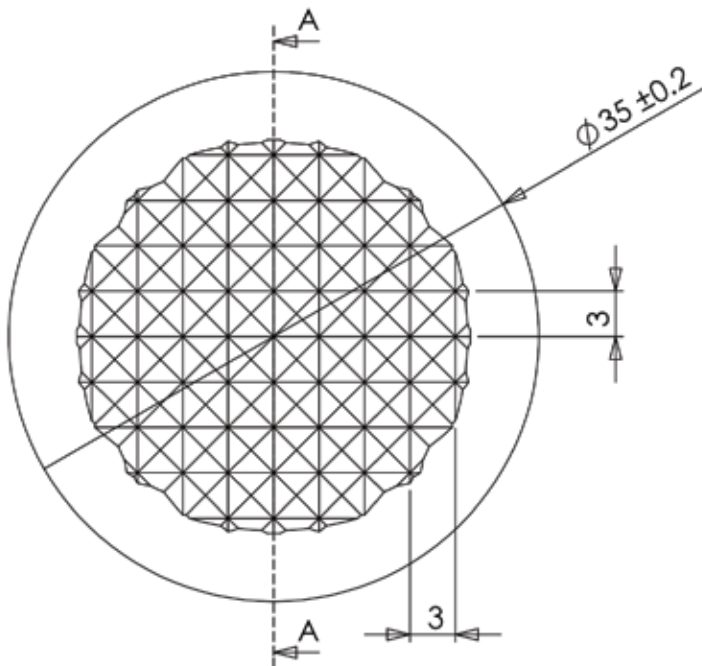


C-C

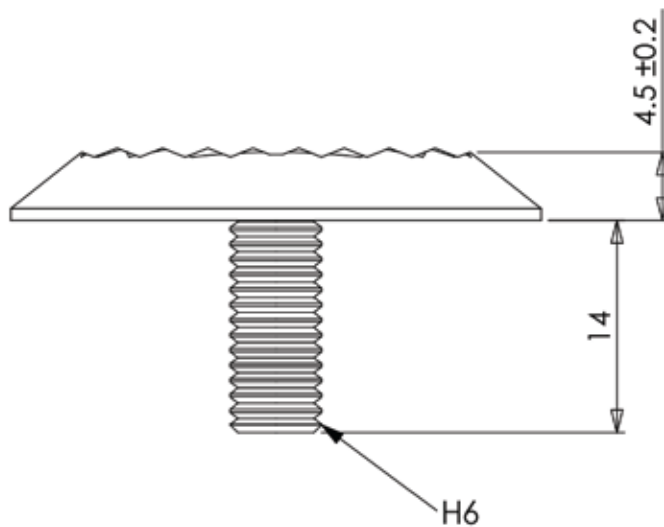


*Note:Hollow Available

HTT-XC-MDT1519C (HOLLOW)



A-A



*Note: Solid Available

HTT-XC-MDT5024



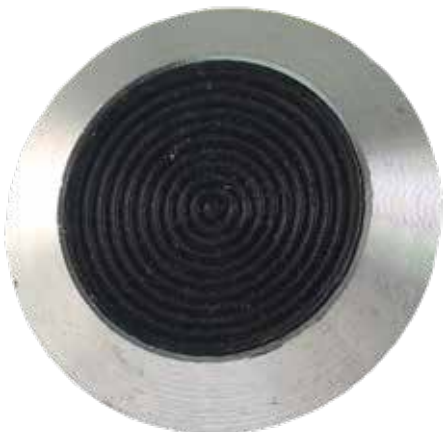
Material : Stainless Steel+Carborundum
Size : 300x300x6.5mm

HTT-XC-MDT5021



Material : PVC/Stainless Steel+PVC
Size : 290x27x5mm

HTT-XC-MDD1149



Material : Stainless Steel
Size : 35X25X4.5mm

HTT-XC-MDD1302



Material : Stainless Steel
+ Carborundum
Size : 35X25X4.5mm

*Different colors are available

